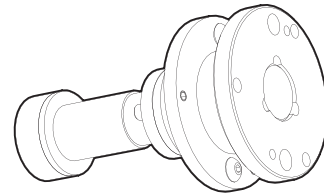
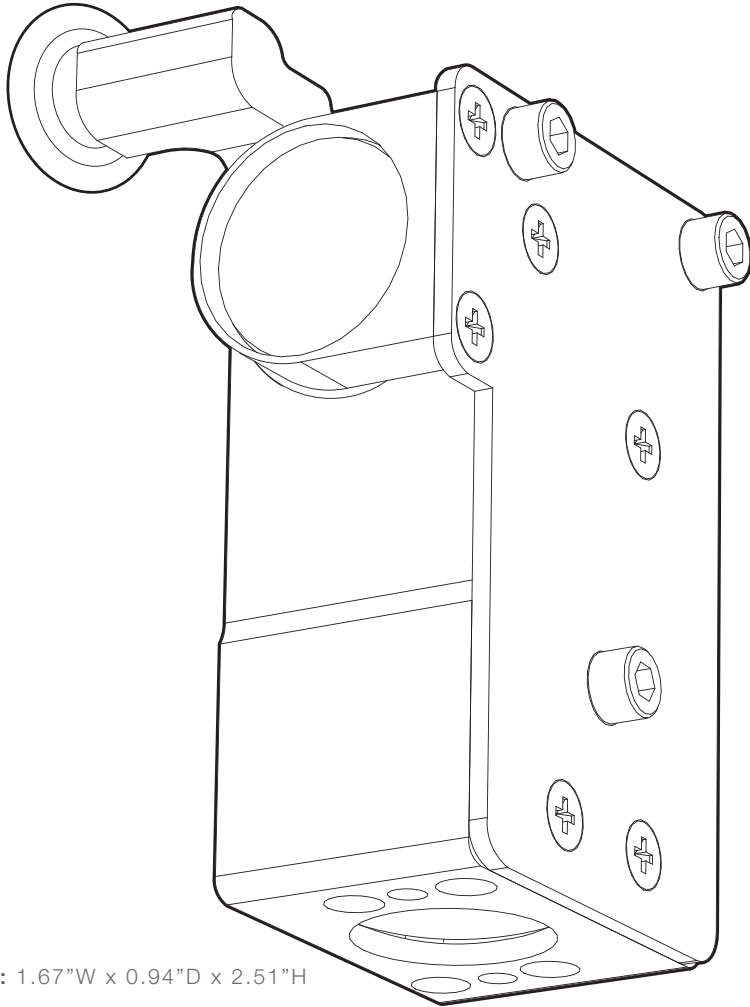
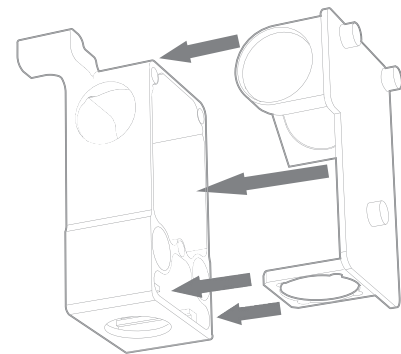


# High Power Density Focusing Optics



Beam conditioner



Existing lens carriage

HPDF attachment

**Purpose:** Extremely detailed engraving or fine cutting, direct marking on some uncoated metals.

**Advantage:** HPDF Optics achieves dramatically improved resolution for applications requiring extremely fine detail (small font sizes) or photos. Increases power density of laser to achieve the effects of a laser that has much higher power.

**Compatibility:** Professional Series (M-360, V, X, X2). Not compatible with dual head.

**Installation:** Factory or in the field.

**Common Uses:** For improved resolution; finer, more detailed engraving of small text and increased cutting depth.