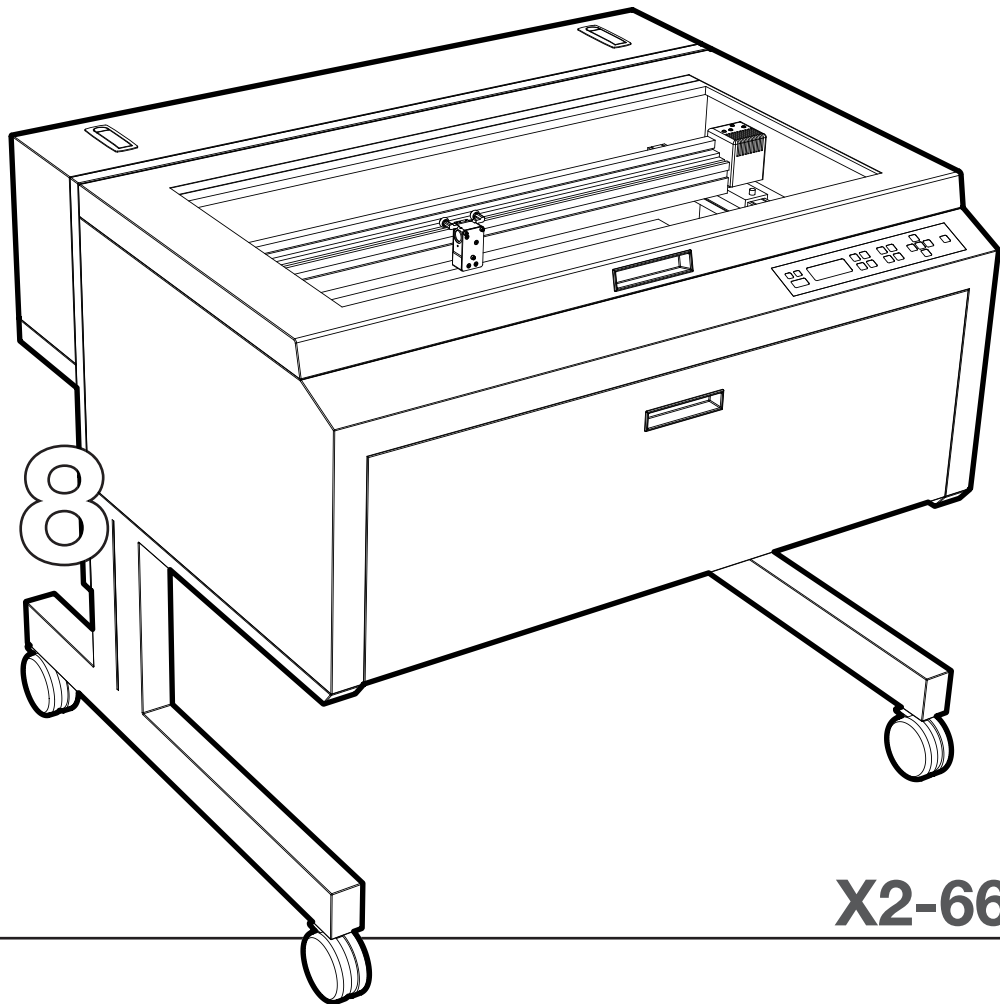


# Professional Series

32x18



## Features:

**X2-660** ≡

Free-standing unit with integrated cart, motorized Z-axis, auto focus, X-Y beam positioning system with RACER™ motion technology, self-adjusting spring-loaded sealed bearings, stationary processing table, Multi-beam Combiner™ for Quick Change Laser Cartridges™ shielded optics, interchangeable focusing optics, flash upgradeable electronics, job complete indicator, system status indicator, relocatable origin, enhanced vector cutting, 3D engraving and rubber stamp mode.

- Dual laser advantage
- Robust blend of size, speed and power flexibility
- 32" x 18" work area
- Patented Integrated Computer-Controlled Beam Combiner™ for user-selectable laser power density
- Patented Cross-Platform Compatibility with all ULS air-cooled Quick Change Laser Cartridges™
- Patented 25-120 watt Rapid Reconfiguration Capability™
- RACER™ Motion Technology for fast job processing
- Complete selection of productivity accessories

[www.ulsinc.com](http://www.ulsinc.com)

**UNIVERSAL**  
LASER SYSTEMS INC.

**Specifications: X2-660****Facility Requirements**

9.3.04

|                              |   |
|------------------------------|---|
| <b>Laser Compatibility</b>   | UL-25, -30, -35, -40, -45, -50, -55 or -60 watt air-cooled, RF driven, sealed CO <sub>2</sub> laser(s) in the pre-aligned Quick Change Cartridge™. Accommodates up to two laser cartridges in any power combination.                          |
| <b>Available Accessories</b> | Rotary fixture, cutting table, lens kits, co-axial air assist with optics protection, dual head, USB connection kit and ethernet connection kit.  |
| <b>Focusing Optics</b>       | Standard 2.0" (50mm) focal length lens in enclosed lens cartridge; optional lenses available.   |
| <b>Power Control</b>         | Digital power control continuously variable from 0 to 100%, automatic proportional pulsing and color linked power settings.   |
| <b>Work Area</b>             | 32" x 18" (812 x 457mm)   |
| <b>Table Size</b>            | 37" x 23" (939 x 584mm)   |
| <b>Maximum Part Size</b>     | 37" wide x 23" deep x 9" thick (939 x 584 x 228mm)  |
| <b>Computer Interface</b>    | Parallel port standard. USB and ethernet optional. Compatible with Windows® 2000/XP and Mac OS®9.   |
| <b>Memory Buffer</b>         | Intelligent buffer with automatic data compression stores up to 99 files with all settings; files are addressable and repeatable in any order and may be deleted after completion to free memory; buffer can be switched to single file mode. |
| <b>Display Panel</b>         | LCD display shows current file name, laser power, engraving speed, run time, files loaded into memory buffer, setup and diagnostic menus.   |
| <b>Operating Modes</b>       | Optimized raster or vector engraving, vector cutting or combined vector/raster processes.   |
| <b>Dimensions</b>            | 39" high x 44" wide x 37.5" deep (990 x 1117 x 952mm)   |
| <b>Weight</b>                | Approximately 345 lbs (156kg)   |
| <b>Safety</b>                | Meets CDRH and EN60825-1 requirements for Class 1 laser safety enclosure for CO <sub>2</sub> laser and Class 3R for red pointer.  |

|                   |   |
|-------------------|---|
| <b>Electrical</b> | Single phase 220 VAC, 15 amp, 50/60 Hz  |
| <b>Exhaust</b>    | Outside exhaust required. Two 4" (102mm) connections requiring 500 CFM total (250 at each connection) air flow at a static pressure of 6 inches of water (425m <sup>3</sup> /hr at 1.5kPa each connection). |
| <b>Cooling</b>    | Air-cooled, ambient operating range of 50°-95°F (10°-35°C).   |



©2004 Universal Laser Systems, Inc. Protected under one or more of U.S. patents 5,661,746; 5,754,575; 5,867,517; 5,881,087; 5,894,493; 5,901,167; 5,982,803; 6,181,719; 6,313,433; 6,342,687. Other U.S. and International patents pending. Specifications subject to change without notice. Windows is a registered trademark of Microsoft, Inc. Mac OS9 is a registered trademark of Apple Computers, Inc.