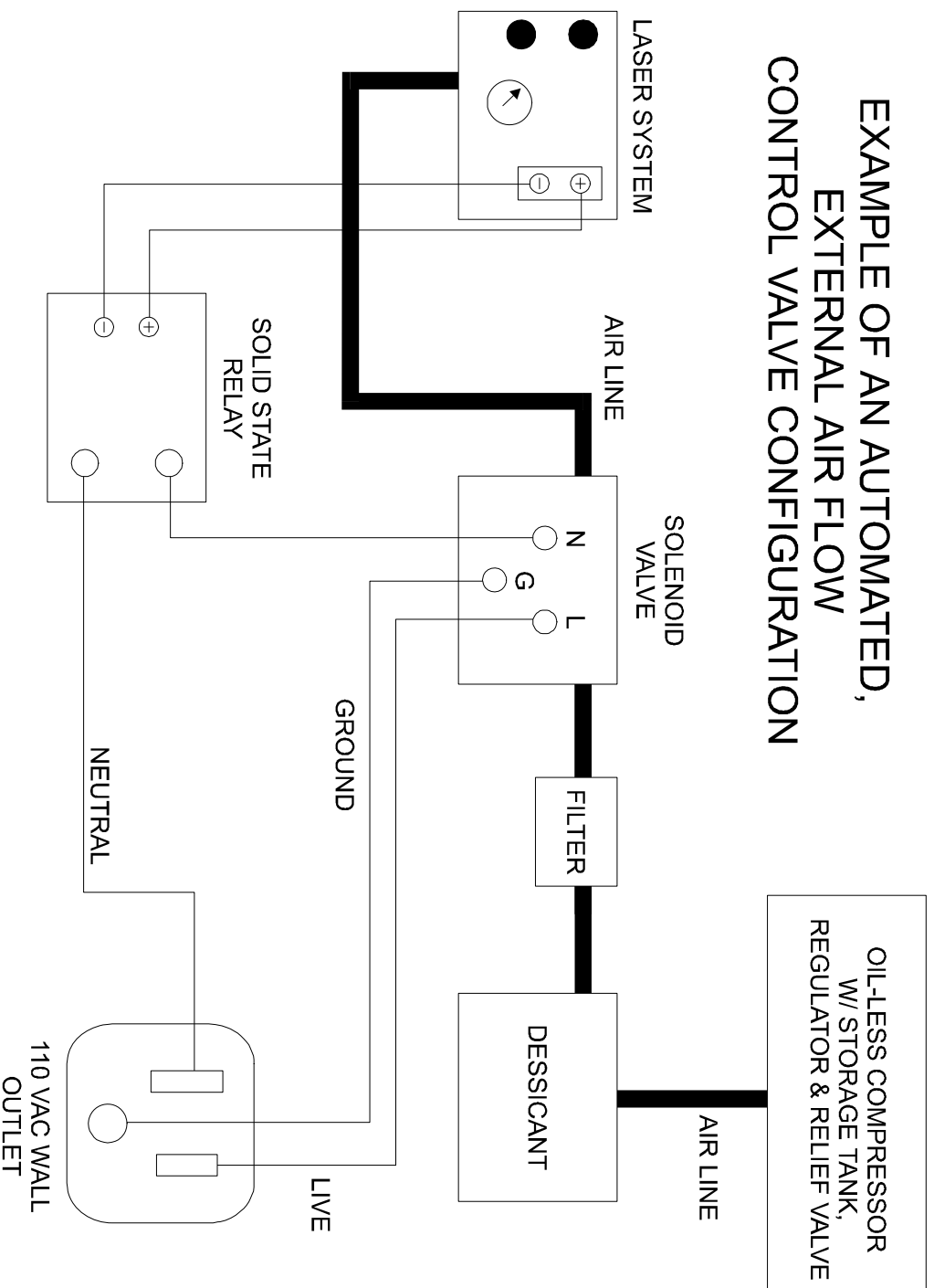


EXAMPLE OF AN AUTOMATED, EXTERNAL AIR FLOW CONTROL VALVE CONFIGURATION



UNIVERSAL LASER SYSTEMS INC. IS NOT RESPONSIBLE OR LIABLE FOR ANY DAMAGES THAT CAN OCCUR DUE TO NEGLIGENCE, MISAPPLICATION, OR MISUSE OF THIS DIAGRAM. THIS DIAGRAM SHOULD SERVE ONLY AS AN EXAMPLE.

External Solenoid Air Valve Configuration

The following parts can be purchased from:

McMaster-Carr Supply Company
P.O. Box 54960
Los Angeles, CA 90054-0960
Phone: (310) 692-5911
Fax: (310) 695-2449

Brass Solenoid Valve (1) (choice dependent on your fitting size)

| Pipe Size | Part # |
|-----------|---------|
| 1/4" | 4711K11 |
| 3/8" | 4711K12 |
| 1/2" | 4711K13 |

Solid State Relay (1)

| Part # | Description |
|---------|-------------------|
| 7456K14 | Solid State Relay |

The following parts can be purchased from:

Grainger Corporation
1-800-323-0620

Coalescing Particulate Filter

| Part # | Description |
|--------|-------------|
| 6B264 | Filter |

Replacement Coalescing Particulate Filter Element

| Part # | Description |
|--------|-------------|
| 6B224 | Filter |

Desiccant Air Dryer

| Part # | Description |
|--------|-------------|
| 5Z611 | Dryer |

Desiccant Refills

| Part # | Description |
|--------|---------------|
| 5Z612 | Pkg 4 refills |

Wiring and terminal connectors can be purchased at your local hardware store.